

**M12 male 90° / RJ45 0° shielded Ethernet**

TPE 2x2x24AWG SF/UTP CAT5e bu UL/CSA, CM 0,3m

Ethernet CAT5

The resistance to aggressive media should be individually tested for your application. Further details on request.

Male 90° – male straight

M12 – RJ45, 4-pole

D-coded

shielded

USA

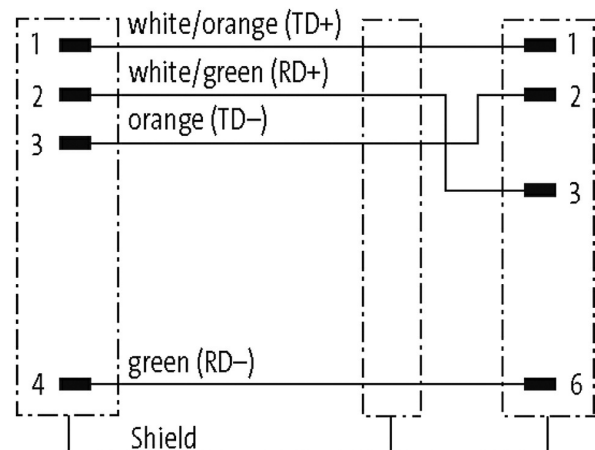
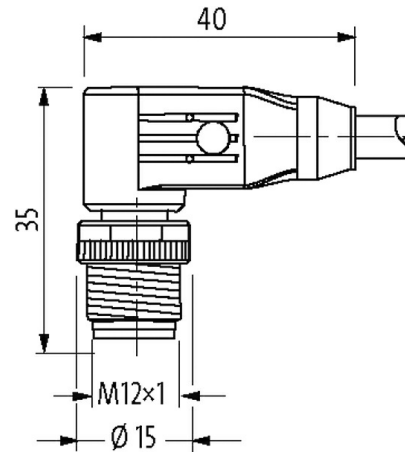
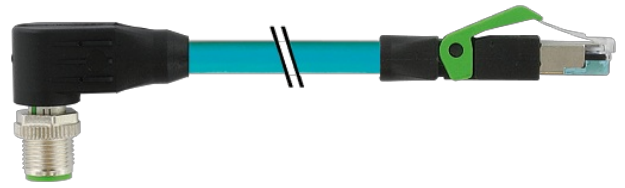
without cable sleeves

Further cable lengths on request.

Plastic housings with good resistance against chemicals and oils.

[Link to Product](#)

**Illustration**



Product may differ from Image

#### Approvals



\* only for products with UL/CSA approved cable

#### More Info



#### Form

Form

44761

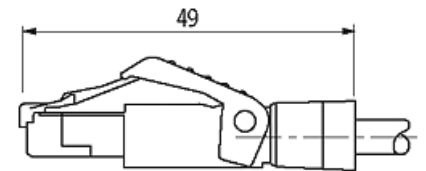
#### General data

|                                    |  |
|------------------------------------|--|
| Standards                          | DIN EN 61076-2-101 (M12)                         |
| Mounting method                    | inserted, tightened                              |
| Pollution Degree                   | 3  |
| Temperature range                  | -25...+85 °C, depending on cable quality         |
| <b>Cables</b>                      |  |
| Cable identification               | S4U  |
| Cable weight [g/m]                 | 55,66  |
| Material (wire)                    | Cu wire, tin plated                              |
| Construction (core)                | 7 × 0.203 mm                                     |
| Diameter (core)                    | 2 × 2 × 0.25 mm <sup>2</sup>                     |
| AWG                                | similar to AWG 24                                |
| Material (wire isolation)          | HDPE   |
| Wire-Ø incl. isolation             | 1.22 mm ±5%                                      |
| Color/numbering of wires           | (wh-or, or) + (wh-gn, gn)                        |
| Shield                             | yes  |
|                                    | min. 75%   |
| Material (jacket)                  | TPE  |
| Outer-Ø (jacket)                   | 6.6 mm ±5%                                       |
| Nominal voltage                    | 1500 V AC  |
| Temperature range (fixed)          | -40...+80 °C                                     |
| Temperature range (mobile)         | -40...+80 °C                                     |
| Bend radius (moving)               | 10 × outer Ø                                     |
| No. of bending cycles (C-track)    | max. 1 Mio. (25 °C)                              |
| Traversing distance (C-track)      | max. 0.6 m                                       |
| Travel speed (C-track)             | max. 1.2 m/s                                     |
| Acceleration (C-track)             | max. 2.4 m/s <sup>2</sup>                        |
| Torsion stress                     | max. 3 Mio. (25 °C)                              |
| No. of torsion cycles              | max. 3 Mio. (25 °C)                              |
| Torsion speed                      | 60 cycles/min                                    |
| No./diameter of wires              | 2 × 2 × 0.25 mm <sup>2</sup>                     |
| Wire isolation                     | HDPE (whor, or, whgn, gn)                        |
| C-track properties                 | 1 Mio.   |
| Material (jacket)                  | TPE (UL/CSA)                                     |
| Jacket Color                       | blue   |
| Outer Ø                            | 6.6 mm ±5%                                       |
| Bend radius (moving)               | 10 × outer Ø                                     |
| Temperature range (fixed)          | -40...+80 °C                                     |
| Temperature range (mobile)         | -40...+80 °C                                     |
| <b>Technical Data</b>              |  |
| Operating voltage                  | max. 60 V DC                                     |
| Operating voltage (only UL listed) | max. 30 V DC                                     |
| Rated surge voltage                | 1.0 kV   |
| Operating current per contact      | max. 1.5 A (20 °C)                               |
| Material group                     | IEC 60664-1, category I                          |
| No. of poles                       | 4  |
| Transfer parameters                | CAT5, Class D (ISO/IEC 11801:2002), (EN 50173-1) |
| Transfer rate                      | up to 100 Mbit/s full duplex                     |
| Coding                             | M12, D-coded                                     |

|   |  |
|---|--|
| LED display                               | no   |
| Locking of ports                          | Screw thread (M12×1 mm) recommended torque 0.6 Nm, self-securing |
| Compression gland                         | M12 (SW13)   |
| Protection                                | IP67 (M12) - IP20 (RJ45)   |
| Locking material                          | Zinc die casting, matte nickel plated (M12)                      |
| Material                                  | PUR  |
| suitable for corrugated tube (internal Ø) | without  |

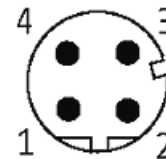
**Commercial data**

|                       |               |
|-----------------------|---------------|
| country of origin     | DE            |
| customs tariff number | 85444210      |
| EAN                   | 4048879650991 |
| eClass                | 27061801      |
| Packaging unit        | 1             |

**Sketch**

Male

Male



Product may differ from Image